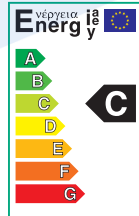


### Series description Wilo-TOP-S



**> Note**

EEL classification for each pump type, see Chapter: "Planning guide"

**Design**

Glandless circulation pump with screwed connection or flange connection. Preselectable speed stages for power adjustment.

**Application**

Hot-water heating systems of all kinds, industrial circulation systems, air-conditioning systems and closed cooling circuits

**Type key**

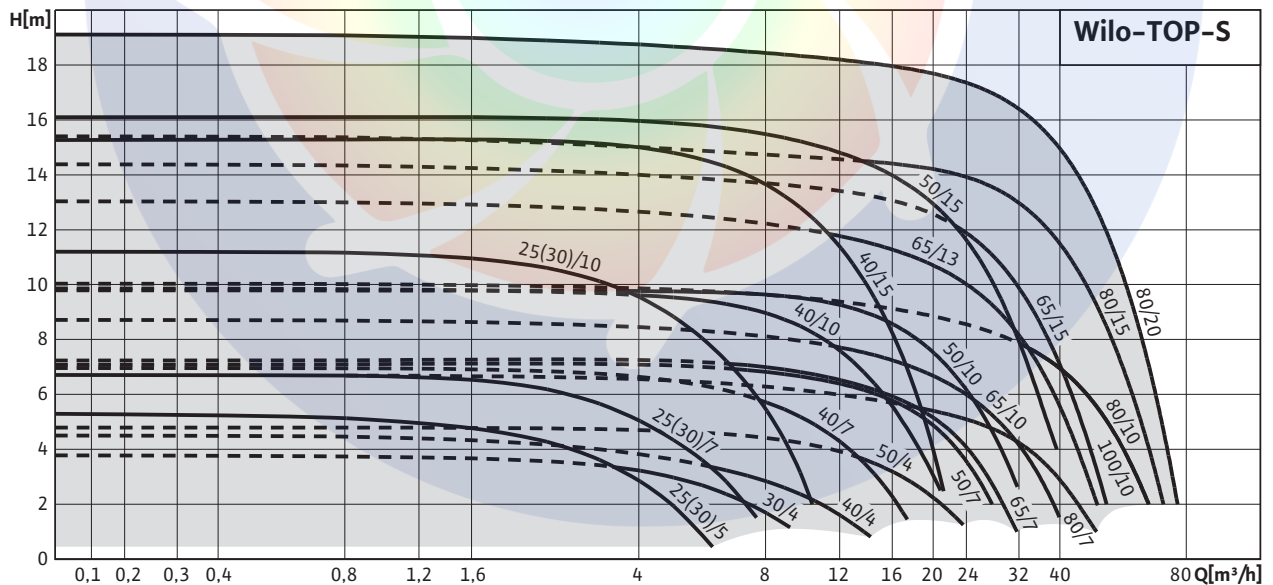
Example: **TOP-S 40/10**  
**TOP-S** Standard pump (screw-end or flange-end pump)  
**40/** Nominal connection diameter  
**10** Nominal delivery head range [m] at  $Q = 0 \text{ m}^3/\text{h}$

**Options**

- Special version for operating pressure PN 16 (at additional charge)
- Version for special voltages on request.

**Special features/product benefits**

- Can be used in heating systems and in cooling/air-conditioning systems from  $-20 \text{ }^\circ\text{C}$  to  $+130 \text{ }^\circ\text{C}$
- Manual power adjustment with 2 speed stages (for pumps 1~230 V with  $P_2 \geq 350 \text{ W}$ ) or with 3 speed stages
- Pump housing with cathaphoretic (KTL) coating for the prevention of corrosion by condensation formation
- With thermal insulation as standard
- Simple installation due to combination flange PN 6/PN 10 (for DN 40 to DN 65)
- Cable feed in to terminal box possible on both sides (from  $P_2 \geq 180 \text{ W}$ ) with integrated strain relief device
- Protection class IP 44



Heating, air-conditioning, cooling

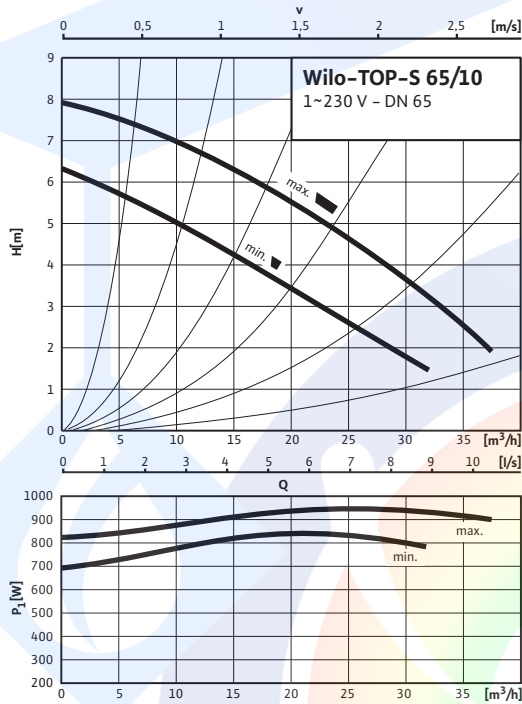
# Heating, air-conditioning, cooling

## Standard pumps (single pumps)

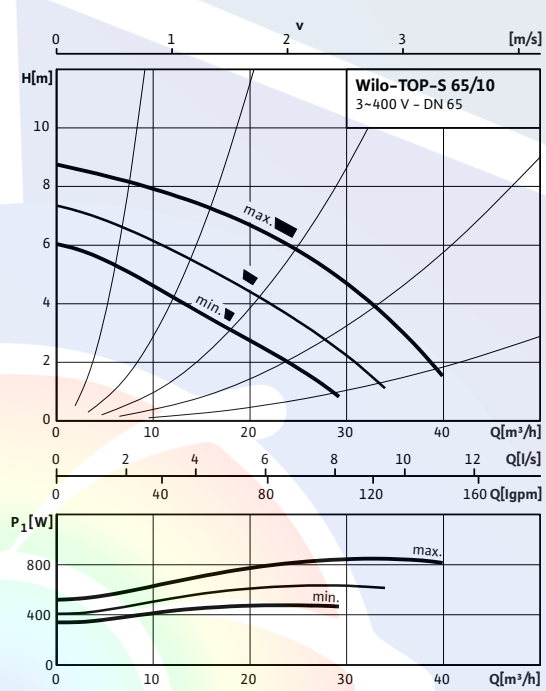
### Pump curves Wilo-TOP-S

#### Wilo-TOP-S 65/10

Alternating current

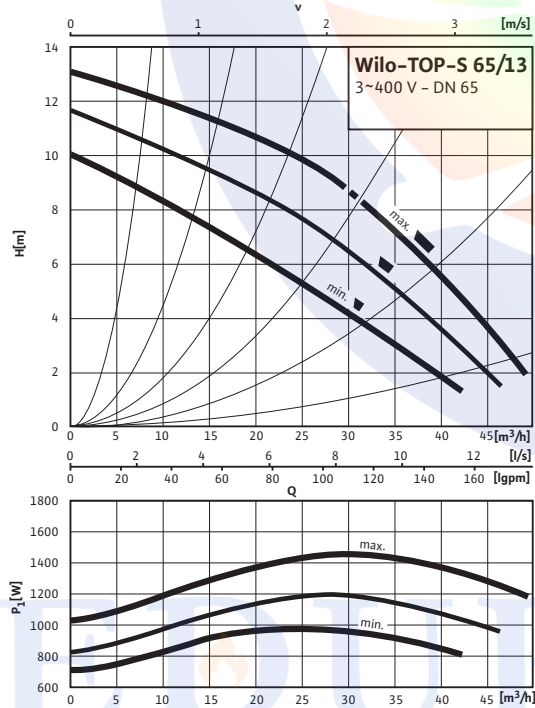


Three-phase current

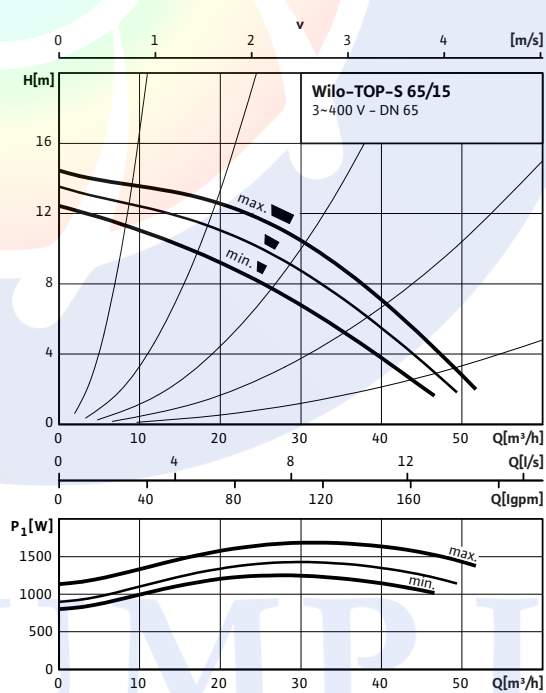


#### Wilo-TOP-S 65/13

Three-phase current



Three-phase current



# Heating, air-conditioning, cooling

## Standard pumps (single pumps)

### Terminal diagram, motor data Wilo-TOP-S

Motor data											
Wilo-TOP-S ...	Nominal motor power	Speed	Power consumption 1~230 V	Power consumption 3~400 V	Current at 1~230V	Current at 3~400V	Current at 3~230V	Capacitor	Motor protection	Threaded cable connection	Wiring diagram
	P <sub>2</sub>	n	P <sub>1</sub>		I			C	-	PG	-
	[W]	[rpm]	[W]		[A]			[µF/VDB]	-	[PG]	-
50/15 (3-phase-motor)	1100	max. 2800 2500 min. 2200	-	1060 - 1570 830 - 1260 720 - 1005	-	3,13 2,25 1,81	5,43 3,90 3,14	-	D	2x13,5	D
65/7 (1-phase-motor)	350	max. 2800 min. 2550	460 - 690 350 - 630	-	3,49 3,35	-	-	16.0/ 400	F	2x13.5	F
65/7 (3-phase-motor)	350	max. 2800 2450 min. 2150	-	340 - 590 270 - 470 235 - 375	-	1,16 0,82 0,66	2,01 1,42 1,14	-	D	2x13,5	D
65/10 (1-phase-motor)	450	max. 2800 min. 2450	580 - 790 440 - 690	-	3,78 3,51	-	-	25.0/ 400	F	2x13.5	F
65/10 (3-phase-motor)	450	max. 2650 2250 min. 1950	-	525 - 845 410 - 630 340 - 470	-	1,67 1,10 0,83	2,89 1,91 1,44	-	D	2x13,5	D
65/13 (3-phase-motor)	1100	max. 2800 2550 min. 2250	-	1000 - 1450 810 - 1180 700 - 960	-	2,93 2,10 1,74	5,07 3,64 3,00	-	D	2x13,5	D
65/15 (3-phase-motor)	1300	max. 2850 2700 min. 2500	-	1140 - 1685 910 - 1425 810 - 1240	-	3,41 2,52 2,18	5,91 4,36 3,78	-	D	2x13,5	D
80/7 (1-phase-motor)	450	max. 2800 min. 2350	640 - 800 505 - 700	-	3,85 3,59	-	-	25.0/ 400	F	2x13.5	F
80/7 (3-phase-motor)	450	max. 2700 2400 min. 2100	-	560 - 730 430 - 560 350 - 440	-	1,53 1,00 0,79	2,65 1,74 1,36	-	D	2x13,5	D
80/10 (3-phase-motor)	1100	max. 2800 2500 min. 2150	-	1100 - 1590 880 - 1290 745 - 1015	-	3,13 2,29 1,84	5,43 3,96 3,19	-	D	2x13,5	D
80/15 (3-phase-motor)	1800	max. 2900 2700 min. 2450	-	1600 - 2400 1300 - 2000 1160 - 1680	-	4,85 3,63 3,25	-	-	E	2x13,5	E
80/20 (3-phase-motor)	2200	max. 2900 2750 min. 2500	-	2050 - 3120 1670 - 2650 1480 - 2270	-	6,10 4,80 4,35	-	-	E	2x13,5	E
100/10 (3-phase-motor)	1100	max. 2800 2500 min. 2150	-	1100 - 1590 880 - 1290 745 - 1015	-	3,13 2,29 1,84	5,43 3,96 3,19	-	D	2x13,5	D

Observe name plate data!

Current I: Motor protection switch onsite setting

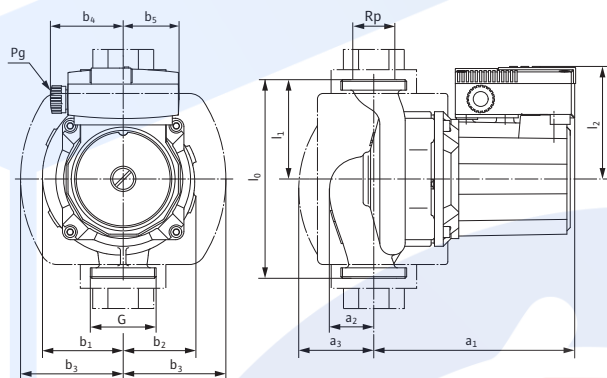
**Note:**

Mains connection 3~230 V with optional switching plug (accessory)



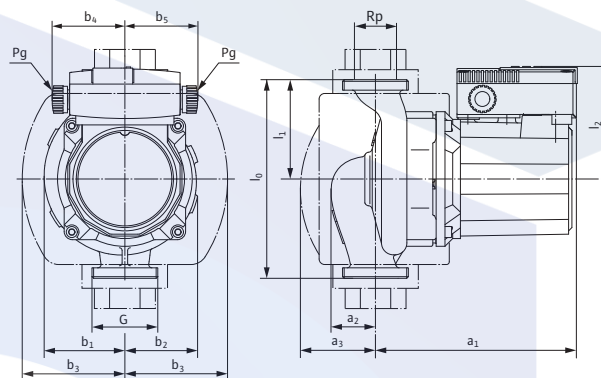
### Dimensions, weights Wilo-TOP-S

**Dimension drawing A**



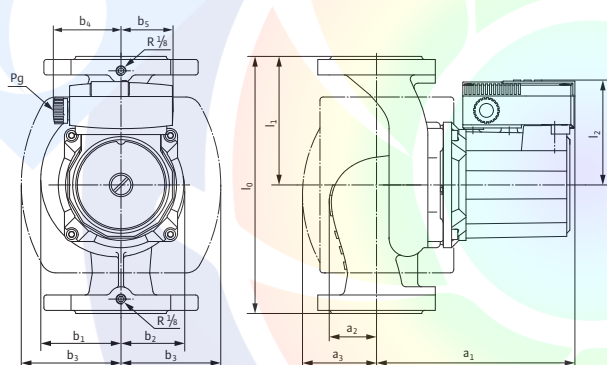
Permitted installation positions, see Planning guide

**Dimension drawing B**



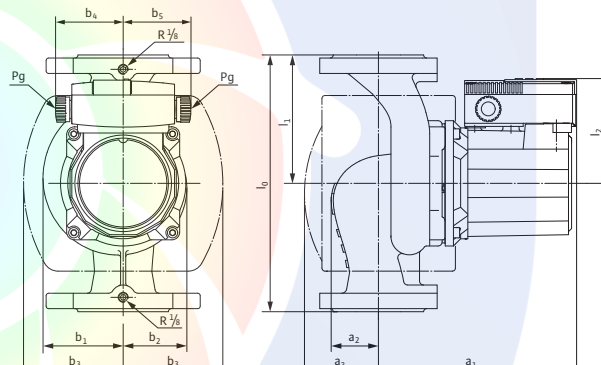
Permitted installation positions, see Planning guide

**Dimension drawing C**



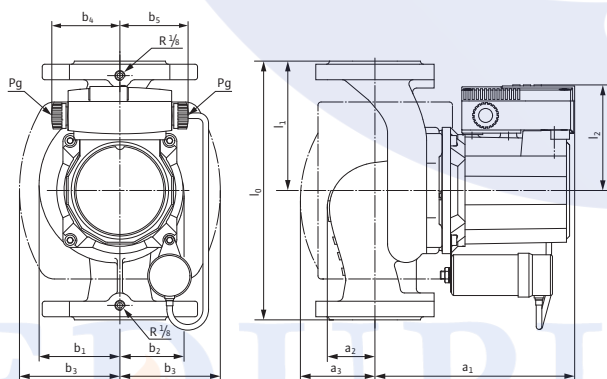
Permitted installation positions, see Planning guide

**Dimension drawing D**



Permitted installation positions, see Planning guide

**Dimension drawing E**



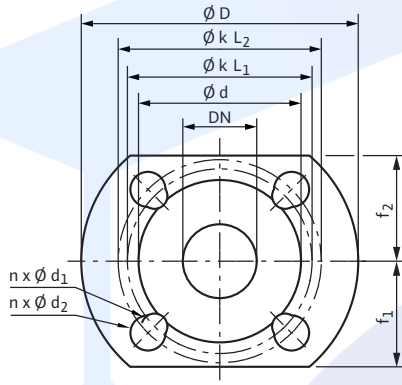
Permitted installation positions, see Planning guide

# Heating, air-conditioning, cooling

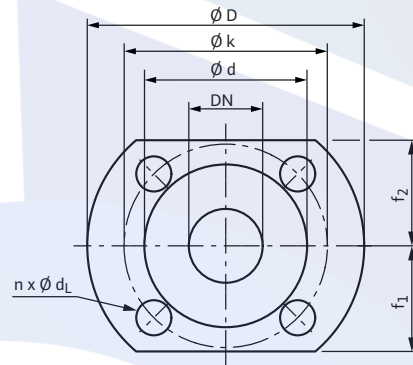
Standard pumps (single pumps)

## Dimensions, weights Wilo-TOP-S

Dimension drawing Flange F



Dimension drawing Flange G



### Dimensions, weights

Wilo-TOP-S ...	Rated pressure	Pipe connection	Nominal flange diameter	Thread	Dimensions									Weight approx.	Dimension drawing
	PN	Rp	DN	G	l <sub>0</sub>	l <sub>2</sub>	a <sub>1</sub>	a <sub>2</sub>	b <sub>1</sub>	b <sub>2</sub>	b <sub>3</sub>	b <sub>4</sub>	b <sub>5</sub>	M	-
	[bar]	-	-	-	[mm]									[kg]	-
25/5	10	1	-	1½	180	92	150	40	50	52	88	60	44	5.0	A
25/7	10	1	-	1½	180	92	165	34	66	56	80	60	44	5.0	A
25/10	10	1	-	1½	180	102	172	45	69	68	92	66	66	6.3	B
25/13	10	1	-	1½	180	92	156	30	68	64	89	60	44	5.2	A
30/4	10	1¼	-	2	180	92	156	50	53	65	88	60	44	5.0	A
30/5	10	1¼	-	2	180	92	150	40	50	52	88	60	44	5.0	A
30/7	10	1¼	-	2	180	92	172	34	66	57	88	60	44	5.0	A
30/10	10	1¼	-	2	180	102	172	45	69	69	92	66	66	6.3	B
40/4	6/10	-	40	-	220	90	178	54	84	60	102	53	44	9.5	C
40/7	6/10	-	40	-	250	102	193	46	78	68	102	66	66	11.0	D
40/10	6/10	-	40	-	250	109	216	59	90	80	117	66	66	14.7	D
40/15	6/10	-	40	-	250	119	258	55	99	86	137	66	66	20.8	D
50/4	6/10	-	50	-	240	102	200	53	94	68	117	66	66	13.1	D
50/7	6/10	-	50	-	280	109	224	65	91	77	125	66	66	16.6	D
50/10	6/10	-	50	-	280	109	222	71	101	87	125	66	66	17.8	D
50/15	6/10	-	50	-	340	119	242	81	105	90	139	66	66	24.9	D
65/7	6/10	-	65	-	280	109	226	67	95	79	125	66	66	18.5	D
65/10	6/10	-	65	-	340	109	241	67	110	89	132	66	66	21.0	D
65/13	6/10	-	65	-	340	119	254	81	118	98	142	66	66	27.2	D
65/15	6/10	-	65	-	340	119	254	81	118	98	142	66	66	30.4	D
80/7	6	-	80	-	360	109	227	80	116	89	140	66	66	23.4	E
80/7	10	-	80	-	360	109	227	80	116	89	140	66	66	23.2	D
80/10	6	-	80	-	360	119	256	95	135	107	162	66	66	30.1	D
80/10	10	-	80	-	360	119	256	95	135	107	162	66	66	30.1	D
80/15	6	-	80	-	360	143	316	89	129	108	152	66	66	42.1	D
80/15	10	-	80	-	360	143	316	89	129	108	152	66	66	42.1	D

### Dimensions, weights Wilo-TOP-S

#### Dimensions, weights

Wilo-TOP-S ...	Rated pressure	Pipe connection	Nominal flange diameter	Thread	Dimensions									Weight approx.	Dimension drawing
	PN	Rp	DN	G	l <sub>0</sub>	l <sub>2</sub>	a <sub>1</sub>	a <sub>2</sub>	b <sub>1</sub>	b <sub>2</sub>	b <sub>3</sub>	b <sub>4</sub>	b <sub>5</sub>	M	–
	[bar]	–			[mm]									[kg]	–
80/20	6	–	80	–	360	143	316	89	129	108	152	66	66	45.5	D
80/20	10	–	80	–	360	143	316	89	129	108	152	66	66	45.5	D
100/10	6	–	100	–	360	119	256	96	135	108	162	66	66	33.2	D
100/10	10	–	100	–	360	119	256	96	135	108	162	66	66	33.2	D

#### Flange dimensions

Wilo-TOP-S ...	Flange	Nominal flange diameter	Pump flange dimensions									Dimension drawing, flange
			DN	∅ D	f <sub>1</sub>	f <sub>2</sub>	∅ d	∅ k <sub>L1</sub> /k <sub>L2</sub>	∅ k	n x ∅ d <sub>L1</sub> / ∅ d <sub>L2</sub>	n x ∅ d <sub>L</sub>	
			[mm]									
40/4	Combination flange PN6/10 (PN 16 flange according to EN 1092-2)	40	150	65	65	84	100/110	–	4 x 14 / 19	–	F	
40/7	Combination flange PN6/10 (PN 16 flange according to EN 1092-2)	40	150	65	65	84	100/110	–	4 x 14 / 19	–	F	
40/10	Combination flange PN6/10 (PN 16 flange according to EN 1092-2)	40	150	65	65	84	100/110	–	4 x 14 / 19	–	F	
40/15	Combination flange PN6/10 (PN 16 flange according to EN 1092-2)	40	150	65	65	84	100/110	–	4 x 14 / 19	–	F	
50/4	Combination flange PN6/10 (PN 16 flange according to EN 1092-2)	50	165	70	70	99	110/125	–	4 x 14 / 19	–	F	
50/7	Combination flange PN6/10 (PN 16 flange according to EN 1092-2)	50	165	70	70	99	110/125	–	4 x 14 / 19	–	F	
50/10	Combination flange PN6/10 (PN 16 flange according to EN 1092-2)	50	165	70	75	99	110/125	–	4 x 14 / 19	–	F	
50/15	Combination flange PN6/10 (PN 16 flange according to EN 1092-2)	50	165	75	83	99	110/125	–	4 x 14 / 19	–	F	
65/7	Combination flange PN6/10 (PN 16 flange according to EN 1092-2)	65	185	80	80	118	130/145	–	4 x 14 / 19	–	F	
65/10	Combination flange PN6/10 (PN 16 flange according to EN 1092-2)	65	185	80	80	118	130/145	–	4 x 14 / 19	–	F	
65/13	Combination flange PN6/10 (PN 16 flange according to EN 1092-2)	65	185	80	80	118	130/145	–	4 x 14 / 19	–	F	
65/15	Combination flange PN6/10 (PN 16 flange according to EN 1092-2)	65	185	80	80	118	130/145	–	4 x 14 / 19	–	F	



**EDUPUMP**  
WWW.EDUPUMP.IR

## اولین و بزرگترین

سایت تخصصی سیستم‌های پمپاژ  
با امکان محاسبه آنلاین و انتخاب پمپ

## تولید بوستر پمپ آتش نشانی

در کلاس‌های S3 - S2 - S1  
مورد تایید سازمان آتش نشانی تهران



اولین و بزرگترین مرجع انتخاب آنلاین سیستم‌های پمپاژ

انتخاب آنلاین انواع بوستر پمپ

انتخاب آنلاین انواع پمپ

ارائه مطالب تخصصی

## اولین سایت مرجع

## انتخاب آنلاین پمپ

در حوزه‌های:

ایمنی و آتش نشانی  
آب و فاضلاب  
صنایع غذایی  
استخر  
صنعت  
معدن



## تولید بوستر پمپ

## آبرسانی دور متغیر

بدون محدودیت برند



## آموزش

تهویه و تخلیه دود  
سیستم‌های پمپاژ  
ایمنی معماری  
اطفاء حریق  
اعلام حریق

## مشاوره - طراحی - اجراء

تاسیسات مکانیکی (موتورخانه - استخر)  
تهویه و تخلیه دود  
سیستم‌های پمپاژ  
ایمنی معماری  
اعلام حریق  
اطفاء حریق

تهران، سعدی شمالی، خیابان مرادی نور، پلاک ۳۱

تلفن: ۰۲۱-۷۷۶۸۶۹۶۶ فکس: ۰۲۱-۷۷۶۷۸۶۵۹

EDUPUMP.IR

WWW.EDUPUMP.IR