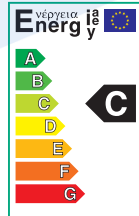


Series description Wilo-TOP-S



> Note

EEL classification for each pump type, see Chapter: "Planning guide"

Design

Glandless circulation pump with screwed connection or flange connection. Preselectable speed stages for power adjustment.

Application

Hot-water heating systems of all kinds, industrial circulation systems, air-conditioning systems and closed cooling circuits

Type key

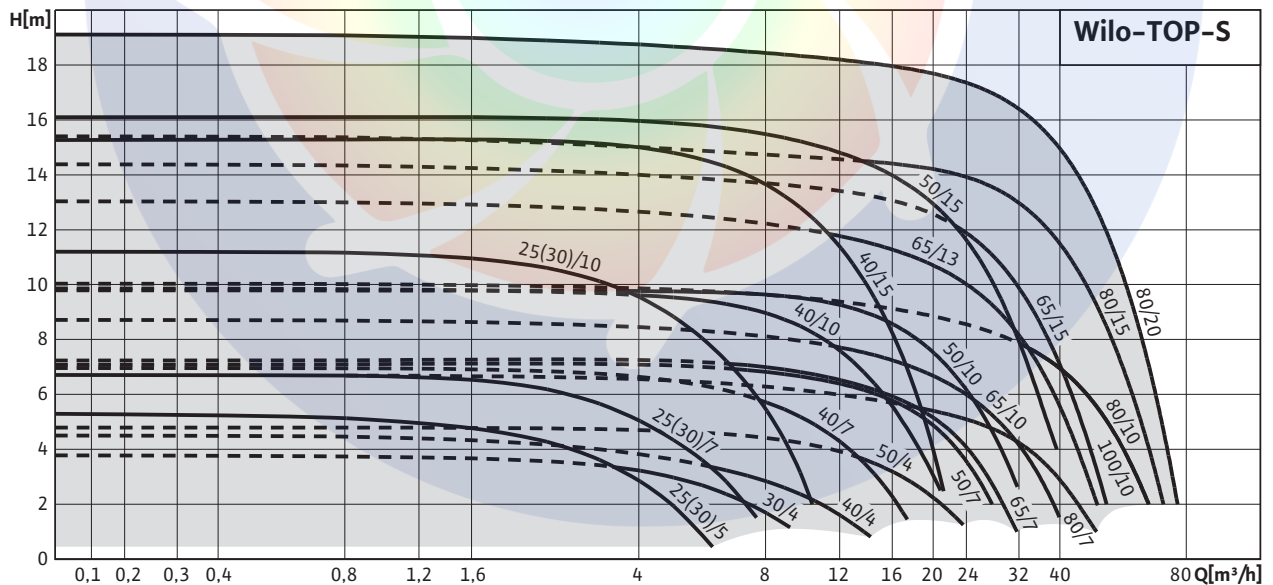
- Example: **TOP-S 40/10**
- TOP-S** Standard pump (screw-end or flange-end pump)
- 40/** Nominal connection diameter
- 10** Nominal delivery head range [m] at $Q = 0 \text{ m}^3/\text{h}$

Options

- Special version for operating pressure PN 16 (at additional charge)
- Version for special voltages on request.

Special features/product benefits

- Can be used in heating systems and in cooling/air-conditioning systems from $-20 \text{ }^\circ\text{C}$ to $+130 \text{ }^\circ\text{C}$
- Manual power adjustment with 2 speed stages (for pumps 1~230 V with $P_2 \geq 350 \text{ W}$) or with 3 speed stages
- Pump housing with cathaphoretic (KTL) coating for the prevention of corrosion by condensation formation
- With thermal insulation as standard
- Simple installation due to combination flange PN 6/PN 10 (for DN 40 to DN 65)
- Cable feed in to terminal box possible on both sides (from $P_2 \geq 180 \text{ W}$) with integrated strain relief device
- Protection class IP 44



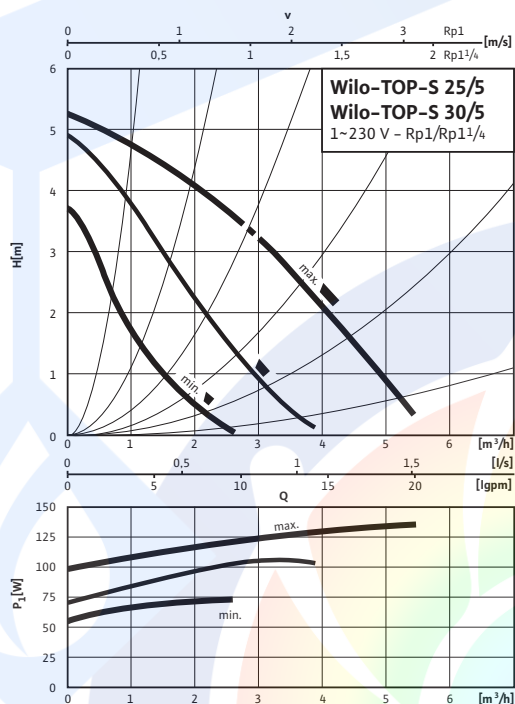
Heating, air-conditioning, cooling

EDUPUMP.IR

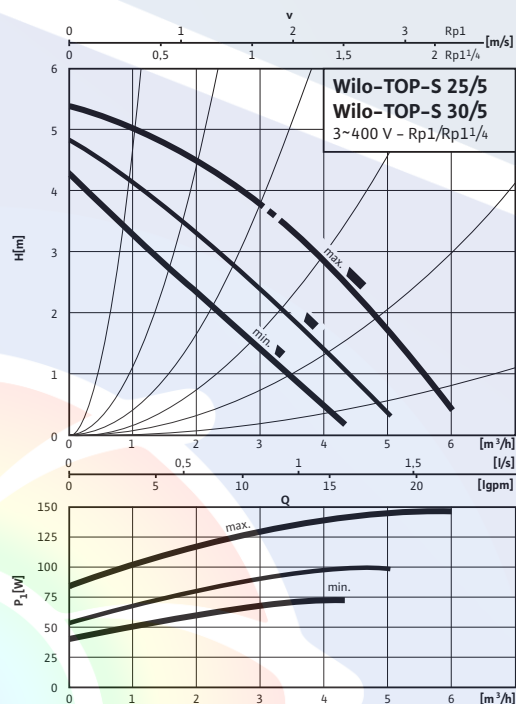
Pump curves Wilo-TOP-S

Wilo-TOP-S 25/5, 30/5

Alternating current

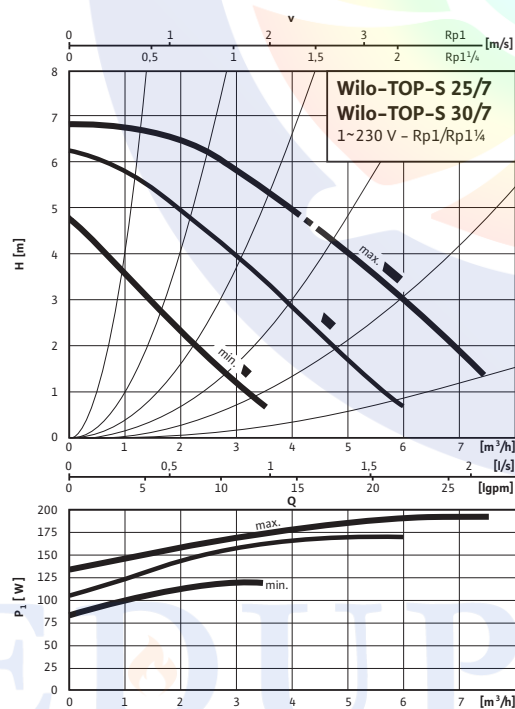


Three-phase current

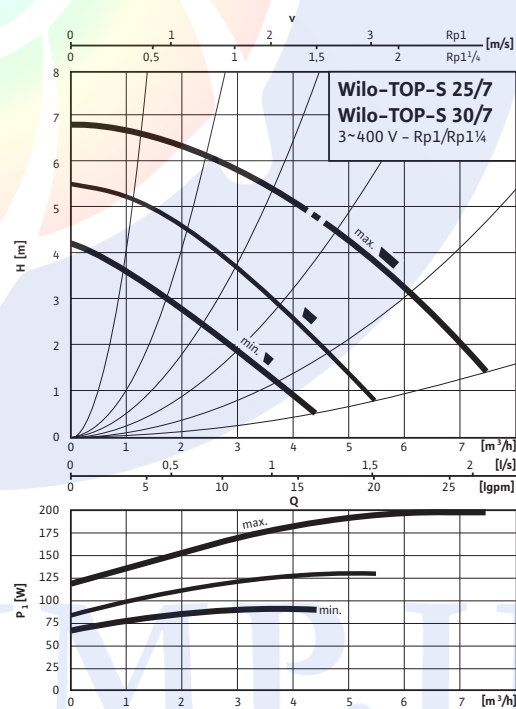


Wilo-TOP-S 25/7, 30/7

Alternating current



Three-phase current



Heating, air-conditioning, cooling

Heating, air-conditioning, cooling

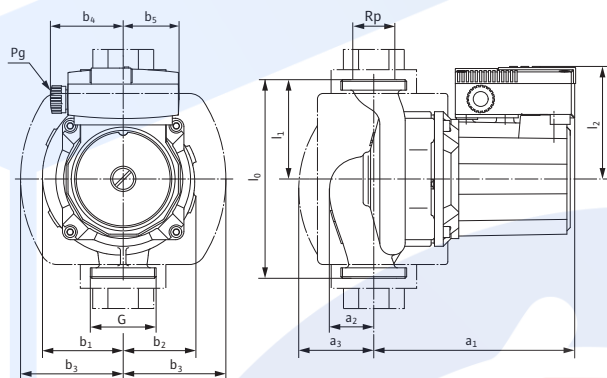
Standard pumps (single pumps)

Terminal diagram, motor data Wilo-TOP-S

Motor data											
Wilo-TOP-S ...	Nominal motor power	Speed	Power consumption 1~230 V	Power consumption 3~400 V	Current at 1~230V	Current at 3~400V	Current at 3~230V	Capacitor	Motor protection	Threaded cable connection	Wiring diagram
	P ₂	n	P ₁		I			C	-	PG	-
	[W]	[rpm]	[W]		[A]			[µF/VDB]	-	[PG]	-
25/5 (1-phase-motor)	50	max. 2320 1640 min. 1200	100 - 140 75 - 110 55 - 75	-	0,65 0,55 0,35	-	-	3,7/400	A	1x13,5	A
25/5 (3-phase-motor)	50	max. 2650 2190 min. 1890	-	85 - 150 55 - 100 40 - 75	-	0,40 0,20 0,15	0,65 0,35 0,25	-	B	1x13,5	B
25/7 (1-phase-motor)	90	max. 2600 2300 min. 1800	140 - 195 110 - 175 85 - 120	-	0,95 0,87 0,62	-	-	5,0/400	A	1x13,5	A
25/7 (3-phase-motor)	90	max. 2600 2100 min. 1750	-	120 - 200 85 - 130 65 - 90	-	0,45 0,25 0,17	0,78 0,43 0,30	-	B	1x13,5	B
25/10 (1-phase-motor)	180	max. 2700 2550 min. 2400	225 - 390 190 - 385 165 - 335	-	1,9 1,87 1,72	-	-	8,0/400	C	2x13,5	C
25/10 (3-phase-motor)	180	max. 2650 2250 min. 1950	-	190 - 380 140 - 270 115 - 195	-	0,78 0,48 0,35	1,35 0,84 0,61	-	D	2x13,5	D
25/13 (1-phase-motor)	100	max. 2680 2380 min. 1800	183 - 260 150 - 200 112 - 130	-	1,24 0,96 0,65	-	-	6,0/400	A	1x13,5	A
25/13 (3-phase-motor)	100	max. 2680 2380 min. 1750	-	145 - 265 100 - 160 75 - 105	-	0,53 0,28 0,19	0,92 0,48 0,33	-	B	1x13,5	B
30/4 (1-phase-motor)	70	max. 2660 2340 min. 1710	145 - 180 95 - 150 70 - 110	-	0,85 0,75 0,55	-	-	5,0/400	A	1x13,5	A
30/4 (3-phase-motor)	70	max. 2610 2120 min. 1810	-	95 - 160 60 - 105 40 - 75	-	0,40 0,20 0,15	0,65 0,35 0,25	-	B	1x13,5	B
30/5 (1-phase-motor)	50	max. 2320 1640 min. 1200	110 - 140 75 - 110 55 - 75	-	0,65 0,55 0,35	-	-	3,7/400	A	1x13,5	A
30/5 (3-phase-motor)	50	max. 2650 2190 min. 1890	-	85 - 150 55 - 100 40 - 75	-	0,40 0,20 0,15	0,65 0,35 0,25	-	B	1x13,5	B
30/7 (1-phase-motor)	90	max. 2600 2300 min. 1800	140 - 195 110 - 175 85 - 120	-	0,95 0,87 0,62	-	-	5,0/400	A	1x13,5	A
30/7 (3-phase-motor)	90	max. 2600 2100 min. 1750	-	120 - 200 85 - 130 65 - 90	-	0,45 0,25 0,17	0,78 0,43 0,30	-	B	1x13,5	B

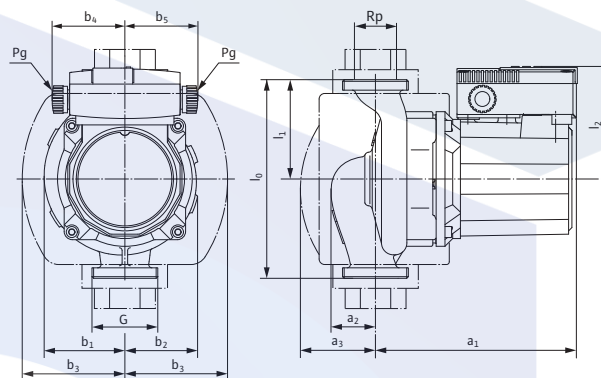
Dimensions, weights Wilo-TOP-S

Dimension drawing A



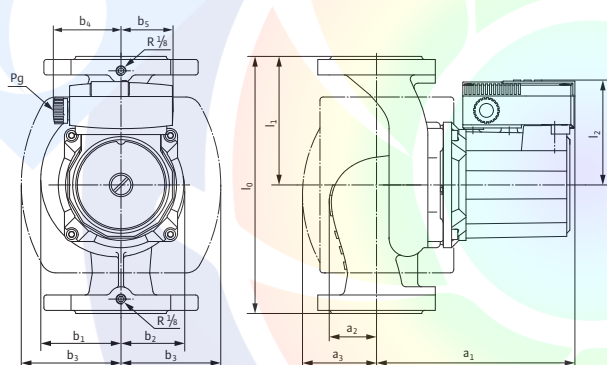
Permitted installation positions, see Planning guide

Dimension drawing B



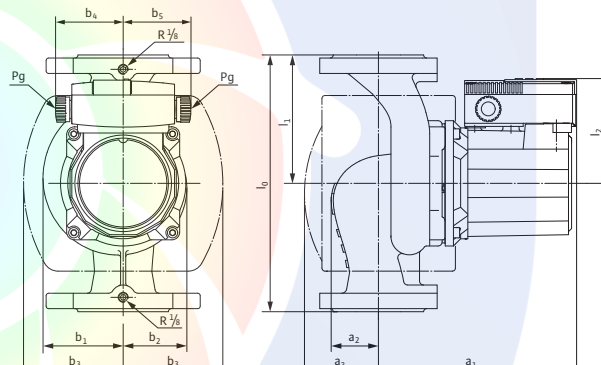
Permitted installation positions, see Planning guide

Dimension drawing C



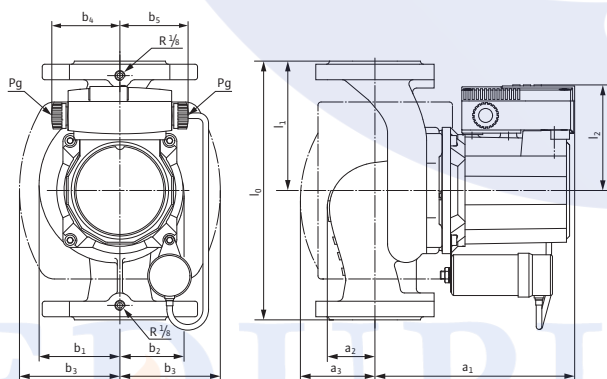
Permitted installation positions, see Planning guide

Dimension drawing D



Permitted installation positions, see Planning guide

Dimension drawing E



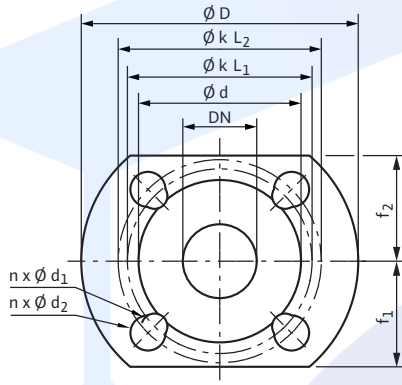
Permitted installation positions, see Planning guide

Heating, air-conditioning, cooling

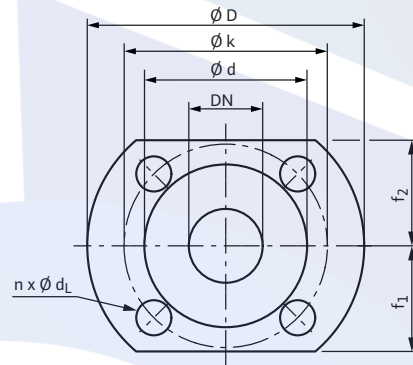
Standard pumps (single pumps)

Dimensions, weights Wilo-TOP-S

Dimension drawing Flange F



Dimension drawing Flange G



Dimensions, weights

Wilo-TOP-S ...	Rated pressure	Pipe connection	Nominal flange diameter	Thread	Dimensions									Weight approx.	Dimension drawing	
	PN	Rp	DN	G	l ₀	l ₂	a ₁	a ₂	b ₁	b ₂	b ₃	b ₄	b ₅	M		–
	[bar]	–	–	–	[mm]									[kg]		–
25/5	10	1	–	1½	180	92	150	40	50	52	88	60	44	5.0	A	
25/7	10	1	–	1½	180	92	165	34	66	56	80	60	44	5.0	A	
25/10	10	1	–	1½	180	102	172	45	69	68	92	66	66	6.3	B	
25/13	10	1	–	1½	180	92	156	30	68	64	89	60	44	5.2	A	
30/4	10	1¼	–	2	180	92	156	50	53	65	88	60	44	5.0	A	
30/5	10	1¼	–	2	180	92	150	40	50	52	88	60	44	5.0	A	
30/7	10	1¼	–	2	180	92	172	34	66	57	88	60	44	5.0	A	
30/10	10	1¼	–	2	180	102	172	45	69	69	92	66	66	6.3	B	
40/4	6/10	–	40	–	220	90	178	54	84	60	102	53	44	9.5	C	
40/7	6/10	–	40	–	250	102	193	46	78	68	102	66	66	11.0	D	
40/10	6/10	–	40	–	250	109	216	59	90	80	117	66	66	14.7	D	
40/15	6/10	–	40	–	250	119	258	55	99	86	137	66	66	20.8	D	
50/4	6/10	–	50	–	240	102	200	53	94	68	117	66	66	13.1	D	
50/7	6/10	–	50	–	280	109	224	65	91	77	125	66	66	16.6	D	
50/10	6/10	–	50	–	280	109	222	71	101	87	125	66	66	17.8	D	
50/15	6/10	–	50	–	340	119	242	81	105	90	139	66	66	24.9	D	
65/7	6/10	–	65	–	280	109	226	67	95	79	125	66	66	18.5	D	
65/10	6/10	–	65	–	340	109	241	67	110	89	132	66	66	21.0	D	
65/13	6/10	–	65	–	340	119	254	81	118	98	142	66	66	27.2	D	
65/15	6/10	–	65	–	340	119	254	81	118	98	142	66	66	30.4	D	
80/7	6	–	80	–	360	109	227	80	116	89	140	66	66	23.4	E	
80/7	10	–	80	–	360	109	227	80	116	89	140	66	66	23.2	D	
80/10	6	–	80	–	360	119	256	95	135	107	162	66	66	30.1	D	
80/10	10	–	80	–	360	119	256	95	135	107	162	66	66	30.1	D	
80/15	6	–	80	–	360	143	316	89	129	108	152	66	66	42.1	D	
80/15	10	–	80	–	360	143	316	89	129	108	152	66	66	42.1	D	

Dimensions, weights Wilo-TOP-S

Dimensions, weights

Wilo-TOP-S ...	Rated pressure	Pipe connection	Nominal flange diameter	Thread	Dimensions									Weight approx.	Dimension drawing
	PN	Rp	DN	G	l ₀	l ₂	a ₁	a ₂	b ₁	b ₂	b ₃	b ₄	b ₅	M	-
	[bar]	-			[mm]									[kg]	-
80/20	6	-	80	-	360	143	316	89	129	108	152	66	66	45.5	D
80/20	10	-	80	-	360	143	316	89	129	108	152	66	66	45.5	D
100/10	6	-	100	-	360	119	256	96	135	108	162	66	66	33.2	D
100/10	10	-	100	-	360	119	256	96	135	108	162	66	66	33.2	D

Flange dimensions

Wilo-TOP-S ...	Flange	Nominal flange diameter	Pump flange dimensions									Dimension drawing, flange
			DN	∅ D	f ₁	f ₂	∅ d	∅ k _{L1} /k _{L2}	∅ k	n x ∅ d _{L1} / ∅ d _{L2}	n x ∅ d _L	
			[mm]									
40/4	Combination flange PN6/10 (PN 16 flange according to EN 1092-2)	40	150	65	65	84	100/110	-	4 x 14 / 19	-	F	
40/7	Combination flange PN6/10 (PN 16 flange according to EN 1092-2)	40	150	65	65	84	100/110	-	4 x 14 / 19	-	F	
40/10	Combination flange PN6/10 (PN 16 flange according to EN 1092-2)	40	150	65	65	84	100/110	-	4 x 14 / 19	-	F	
40/15	Combination flange PN6/10 (PN 16 flange according to EN 1092-2)	40	150	65	65	84	100/110	-	4 x 14 / 19	-	F	
50/4	Combination flange PN6/10 (PN 16 flange according to EN 1092-2)	50	165	70	70	99	110/125	-	4 x 14 / 19	-	F	
50/7	Combination flange PN6/10 (PN 16 flange according to EN 1092-2)	50	165	70	70	99	110/125	-	4 x 14 / 19	-	F	
50/10	Combination flange PN6/10 (PN 16 flange according to EN 1092-2)	50	165	70	75	99	110/125	-	4 x 14 / 19	-	F	
50/15	Combination flange PN6/10 (PN 16 flange according to EN 1092-2)	50	165	75	83	99	110/125	-	4 x 14 / 19	-	F	
65/7	Combination flange PN6/10 (PN 16 flange according to EN 1092-2)	65	185	80	80	118	130/145	-	4 x 14 / 19	-	F	
65/10	Combination flange PN6/10 (PN 16 flange according to EN 1092-2)	65	185	80	80	118	130/145	-	4 x 14 / 19	-	F	
65/13	Combination flange PN6/10 (PN 16 flange according to EN 1092-2)	65	185	80	80	118	130/145	-	4 x 14 / 19	-	F	
65/15	Combination flange PN6/10 (PN 16 flange according to EN 1092-2)	65	185	80	80	118	130/145	-	4 x 14 / 19	-	F	



EDUPUMP
WWW.EDUPUMP.IR

اولین و بزرگترین

سایت تخصصی سیستم‌های پمپاژ
با امکان محاسبه آنلاین و انتخاب پمپ

تولید بوستر پمپ آتش نشانی

در کلاس‌های S3 - S2 - S1
مورد تایید سازمان آتش نشانی تهران



اولین و بزرگترین مرجع انتخاب آنلاین سیستم‌های پمپاژ

انتخاب آنلاین انواع بوستر پمپ

انتخاب آنلاین انواع پمپ

ارائه مطالب تخصصی

اولین سایت مرجع انتخاب آنلاین پمپ

در حوزه‌های:

ایمنی و آتش نشانی
آب و فاضلاب
صنایع غذایی
استخر
صنعت
معدن



تولید بوستر پمپ آبرسانی دور متغیر بدون محدودیت برند



آموزش

تهویه و تخلیه دود
سیستم‌های پمپاژ
ایمنی معماری
اطفاء حریق
اعلام حریق

مشاوره - طراحی - اجراء

تاسیسات مکانیکی (موتورخانه - استخر)
تهویه و تخلیه دود
سیستم‌های پمپاژ
ایمنی معماری
اعلام حریق
اطفاء حریق

تهران، سعدی شمالی، خیابان مرادی نور، پلاک ۳۱

تلفن: ۰۲۱-۷۷۶۸۶۹۶۶ فکس: ۰۲۱-۷۷۶۷۸۶۵۹

EDUPUMP.IR

WWW.EDUPUMP.IR