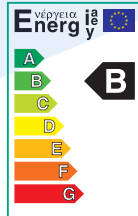


Heating, air-conditioning, cooling

Standard pumps (single pumps)

Series description Wilo-Star-RS



Design

Glandless circulation pump with threaded connection. Pre-selectable speed stages for power adjustment

Application

Hot-water heating systems of all kinds, industrial circulation systems, cold water systems and air-conditioning systems

Type key

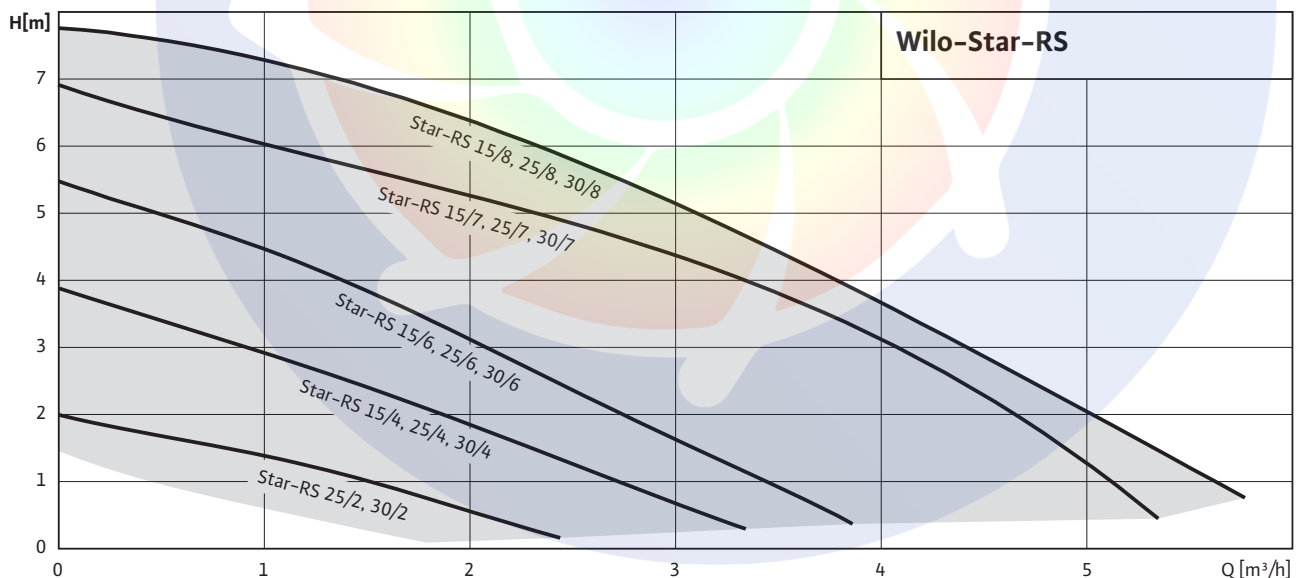
Example: **Wilo Star-RS 25/4**
Star-RS Standard pump (screw-end pump)
25/ Nominal connection diameter R
4 Nominal delivery head [m] at $Q = 0$ m^3/h

Options

- Version ...RG with housing made of red brass
- Version ...-130 with short overall length of 130 mm
- RSL version with connection for rapid ventilation.

Special features/product benefits

- Suitable for any installation position with horizontal shaft; terminal box in 3-6-9-12 o'clock position
- Three pre-selectable speed stages for load adjustment
- Easy and safe installation due to practical wrench attachment point on pump body
- Simplified electrical installation due to terminal box with removable threaded cable connection that can be used on both sides; quick connection with spring clips



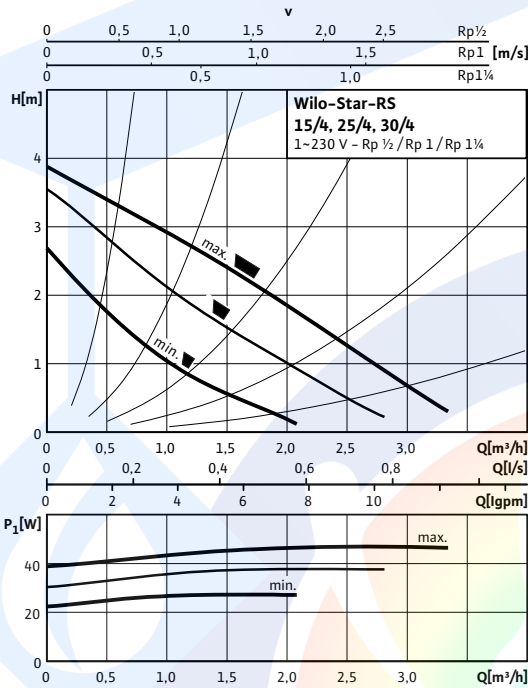
EDUPUMP.IR

Heating, air-conditioning, cooling

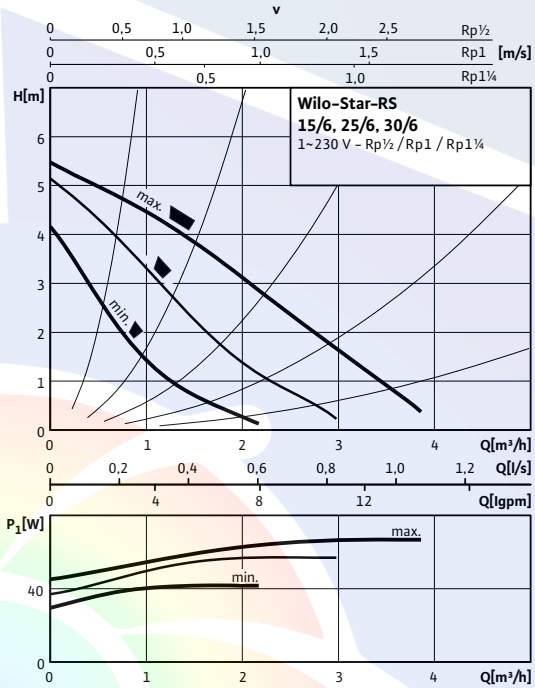
Standard pumps (single pumps)

Pump curves Wilo-Star-RS

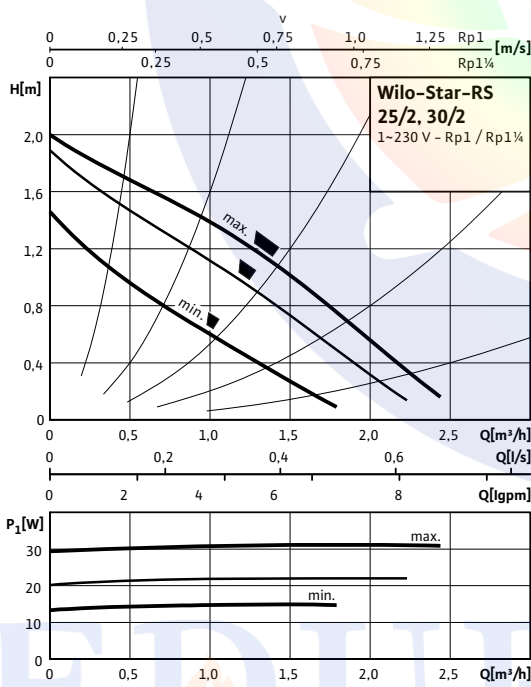
Wilo-Star-RS 15/4, 25/4, 30/4



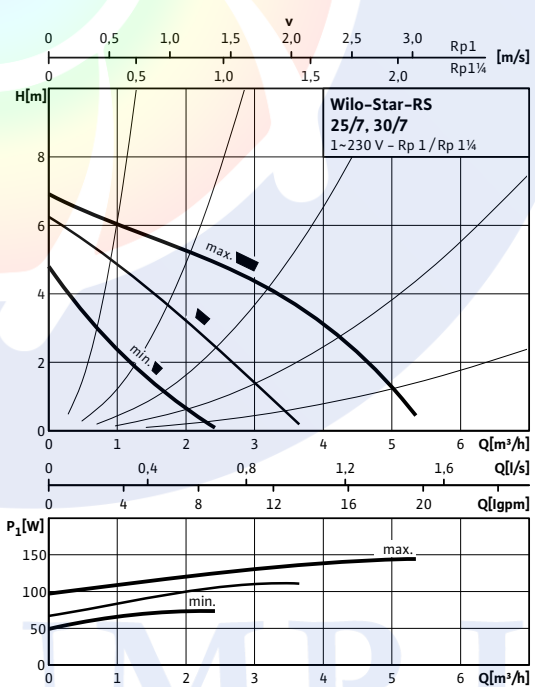
Wilo-Star-RS 15/6, 25/6, 30/6



Wilo-Star-RS 25/2, 30/2



Wilo-Star-RS 25/7 - 30/7

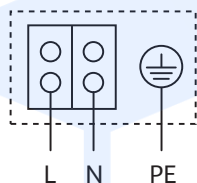


Heating, air-conditioning, cooling

Standard pumps (single pumps)

Terminal diagram, motor data Wilo-Star-RS

Terminal diagram A



Blocking current-proof motor
Single-phase motor (EM) 2-pole - 1~230 V, 50 Hz
 With built-in capacitor

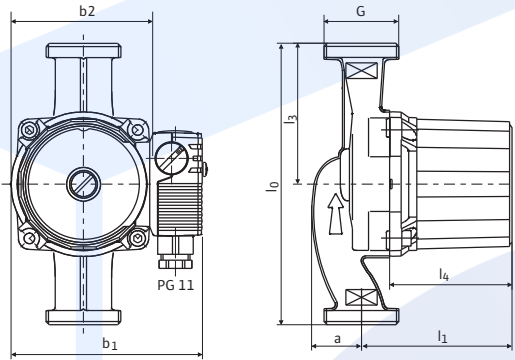
Motor data							
Wilo-Star-RS ...	Nominal motor power	Speed	Power consumption	Max. current	Motor protection	Capacitor	Threaded cable connection
	P ₂	n	P ₁	I	–	C	PG
	[W]	[rpm]	[W]	[A]	–	[µF/VDB]	[PG]
15/4	15.5	max. 2720	48	0.21	not required (blocking current-proof)	1.7/400	1x11
	9.5	2630	38	0.17			
	5.5	min. 2350	28	0.13			
15/6	38	max. 2750	84	0.36	not required (blocking current-proof)	2.6/400	1x11
	21	2650	61	0.28			
	11	min. 2350	43	0.2			
25/2	7	max. 2600	45	0.2	not required (blocking current-proof)	1.6/400	1x11
	4	2500	30	0.13			
	1.5	min. 2200	18	0.08			
25/4	15.5	max. 2720	48	0.21	not required (blocking current-proof)	1.7/400	1x11
	9.5	2630	38	0.17			
	5.5	min. 2350	28	0.13			
25/4-130	15.5	max. 2720	48	0.21	not required (blocking current-proof)	1.7/400	1x11
	9.5	2630	38	0.17			
	5.5	min. 2350	28	0.13			
25/4-RG	15.5	max. 2720	48	0.21	not required (blocking current-proof)	1.7/400	1x11
	9.5	2630	38	0.17			
	5.5	min. 2350	28	0.13			
RSL 25/4-3H	15.5	max. 2720	48	0.21	not required (blocking current-proof)	1.7/400	1x11
	9.5	2630	38	0.17			
	5.5	min. 2350	28	0.13			
RSL 25/6	26	max. 2750	63	0.28	not required (blocking current-proof)	2.0/400	1x11
	17.5	2630	54	0.23			
	10.5	min. 2350	41	0.18			
25/6	38	max. 2750	84	0.36	not required (blocking current-proof)	2.6/400	1x11
	21	2650	61	0.28			
	11	min. 2350	43	0.2			

Heating, air-conditioning, cooling

Standard pumps (single pumps)

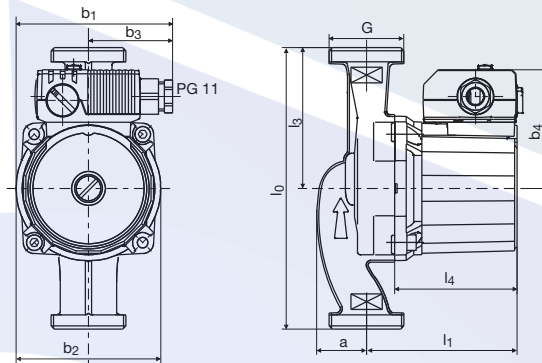
Dimensions, weights Wilo-Star-RS

Dimension drawing A



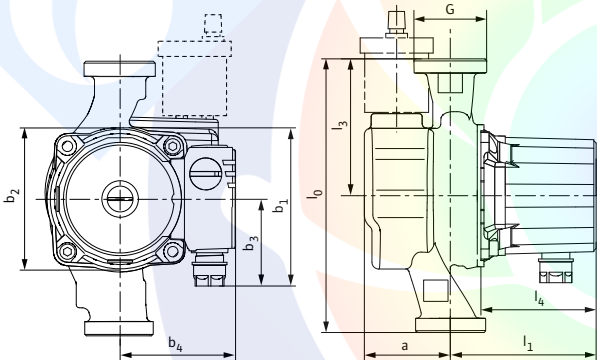
Motor horizontal
Terminal box positions for 3, 6, 9 and 12 o'clock possible
On delivery, terminal box position is at 3 o'clock

Dimension drawing B



Motor horizontal
Terminal box positions for 3, 6, 9 and 12 o'clock possible

Dimension drawing C



Dimensions, weights

Wilo-Star-RS ...	Pipe connection	Thread	Dimensions									Weight approx.	Dimension drawing				
			Rp	G	l ₀	l ₁	l ₃	l ₄	A	b ₁	b ₂			b ₃	b ₄	M	-
			[mm]											[kg]	-		
15/4	½	1	130	96	65	78	34	104	93.5	58	73	2.4	A				
15/6	½	1	130	96	65	78	33	104	93.5	58	76	2.5	A				
25/2	1	1½	180	96	90	78	34	104	93.5	58	73	2.2	B				
25/4	1	1½	180	96	90	78	34	104	93.5	58	73	2.2	B				
25/4-130	1	1½	130	96	65	78	34	104	93.5	58	73	2.2	A				
25/4-RG	1	1½	180	96	90	78	34	104	93.5	58	73	2.6	B				
RSL 25/4-3H	1	1½	180	96	90	78	56	104	93.5	57.2	76	3.1	C				
RSL 25/6	1	1½	180	96	90	78	33	104	93.5	58	76	2.4	B				
25/6-130	1	1½	130	96	65	78	33	104	93.5	58	76	2.4	A				

Dimensions, weights Wilo-Star-RS

Dimensions, weights

Wilo-Star-RS ...	Pipe connection	Thread	Dimensions									Weight approx.	Dimension drawing
	Rp	G	l ₀	l ₁	l ₃	l ₄	A	b ₁	b ₂	b ₃	b ₄	M	–
	–		[mm]									[kg]	–
25/6-RG	1	1½	180	96	90	78	33	104	93.5	58	76	2.6	B
25/6	1	1½	180	100	90	78	62	101	93.5	54	79	3.4	B
25/7	1	1½	180	109	90	91	32	101	93.5	54	79	2.7	B
25/8	1	1½	180	119	90	88	34	113	93.5	54	76	3.3	B
30/2	1¼	2	180	96	90	78	34	104	93.5	58	73	2.2	B
30/4	1¼	2	180	96	90	78	34	104	93.5	58	73	2.4	B
30/6	1¼	2	180	96	90	78	33	104	93.5	58	76	2.7	B
30/7	1¼	2	180	109	90	91	32	101	93.5	54	79	3.0	B
30/8	1¼	2	180	119	90	88	34	113	93.5	54	76	3.5	B

EDUPUMP.IR



EDUPUMP
WWW.EDUPUMP.IR

اولین و بزرگترین

سایت تخصصی سیستم‌های پمپاژ
با امکان محاسبه آنلاین و انتخاب پمپ

تولید بوستر پمپ آتش نشانی

در کلاس‌های S3 - S2 - S1
مورد تایید سازمان آتش نشانی تهران



اولین و بزرگترین مرجع انتخاب آنلاین سیستم‌های پمپاژ

انتخاب آنلاین انواع بوستر پمپ

انتخاب آنلاین انواع پمپ

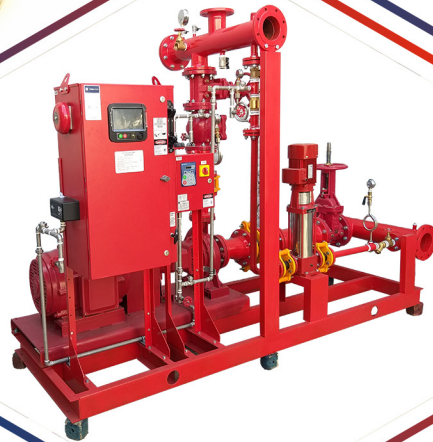
ارائه مطالب تخصصی

اولین سایت مرجع

انتخاب آنلاین پمپ

در حوزه‌های:

ایمنی و آتش نشانی
آب و فاضلاب
صنایع غذایی
استخر
صنعت
معدن



تولید بوستر پمپ

آبرسانی دور متغیر

بدون محدودیت برند



آموزش

تهویه و تخلیه دود
سیستم‌های پمپاژ
ایمنی معماری
اطفاء حریق
اعلام حریق

مشاوره - طراحی - اجراء

تاسیسات مکانیکی (موتورخانه - استخر)
تهویه و تخلیه دود
سیستم‌های پمپاژ
ایمنی معماری
اعلام حریق
اطفاء حریق

تهران، سعدی شمالی، خیابان مرادی نور، پلاک ۳۱

تلفن: ۰۲۱-۷۷۶۸۶۹۶۶ فکس: ۰۲۱-۷۷۶۷۸۶۵۹

EDUPUMP.IR

WWW.EDUPUMP.IR