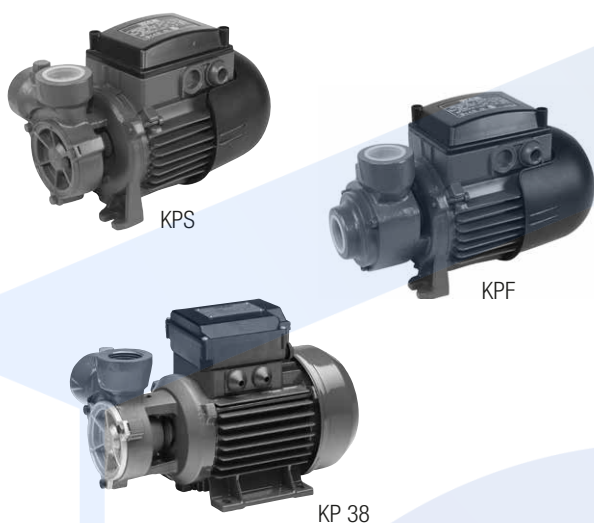


KPS / KPF

PERIPHERAL ELECTRIC PUMPS



TECHNICAL DATA

Operating range:

from 5 to 50 l/m with head up to 84 metres.

Pumped liquid: clean, free of solids and abrasives, non-viscous, non-aggressive, non-crystallised and chemically neutral.

Liquid temperature range:

from 0 °C to +35 °C for domestic use.

from -10°C to +50°C for other uses.

Maximum ambient temperature: +40°C

Maximum operating pressure: 10 bar (6 bar for KPS-KPF 30/16).

Installation: fixed, horizontal position.

Motor protection class: IP 44

Protection class at the terminal board:

IP 55 for KP38/18 and for KPF 45/20;

IP44 for KPF/S 30/16

Insulation class: F

Standard voltage: single-phase 1 x 230 V / 50 Hz

three-phase: 3 x 230-400 V / 50 Hz.

Special executions on requests: alternative voltages and frequencies.

APPLICATIONS

Peripheral centrifugal pump with compact dimensions. Capable of generating high heads and suitable for domestic installations, water supply systems, small gardening applications, draining and filling cisterns, and for light industrial uses, such as feeding pressurized boilers (anti-condensation).

CONSTRUCTION FEATURES OF THE PUMP

Brass pump body and motor support for KP 60/6 and KP 60/12. Pump body with radial suction for KP and KPS; front suction for KPF. Cast iron support with brass wear disc for KPS 30/16 and KP 38/18. KPS 30/16 is available on request with bronze pump body and support. Brass impeller. Carbon/ceramic mechanical seal.

CONSTRUCTION FEATURES OF THE MOTOR

Closed asynchronous type, external ventilation cooling. Rotor running on permanently lubricated ball bearings, oversized to ensure low noise and durability. Standard built-in thermo-amperometric protection. Capacitor permanently fitted on single phase versions. For the protection of the three-phase motor, we recommend the use of remote overload cut-outs, in compliance with current local regulations. Construction according to CEI 2-3 and CEI 61-69 (EN 60335-2-41).

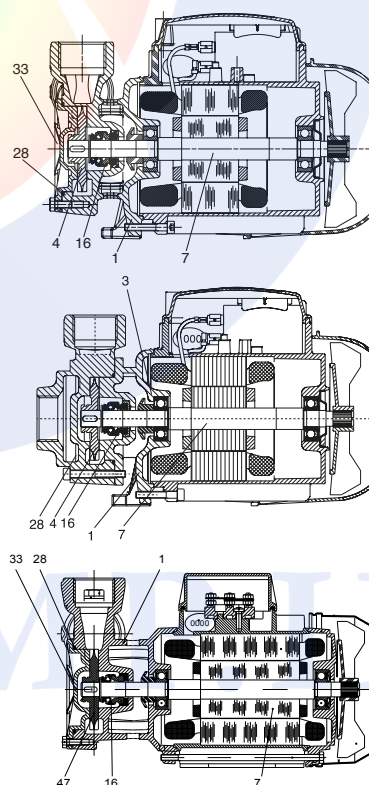
MATERIALS

No.	PARTS* KPS	MATERIALS
1	PUMP BODY	CAST IRON 200 UNI ISO 185
4	IMPELLER	BRASS PCU ZN 40 PB2 UNI 5705/65
7	SHAFT WITH ROTOR	AISI 416 STAINLESS STEEL X12 CRS 13 UNI 6900/71
16	MECHANICAL SEAL	CARBON / CERAMIC
28	OR RING	NBR
33	COVER	BRASS PCU ZN 40 PB2 UNI 5705/65

No.	PARTS* KPF	MATERIALS
1	PUMP BODY	G20 EN-GJL-250 UNI EN 1561
3	MOT. SUPP. PUMP	G20 EN-GJL-250 UNI EN 1561
4	IMPELLER	BRASS PCU ZN 40 PB2 UNI 5705/65
7	SHAFT WITH ROTOR	AISI 416 STAINLESS STEEL X12 CRS 13 UNI 6900/71
16	MECHANICAL SEAL	CARBON / CERAMIC
28	OR RING	NBR

No.	PARTS* KP 38	MATERIALS
1	PUMP BODY	CAST IRON 200 UNI ISO 185
4	IMPELLER	BRASS PCU ZN 40 PB2 UNI 5705/65
7	SHAFT WITH ROTOR	AISI 416 STAINLESS STEEL X12 CRS 13 UNI 6900/71
16	MECHANICAL SEAL	CARBON / CERAMIC
28	OR RING	NBR
33	COVER	BRASS PCu Zn 40 Pb2 UNI 5705/65

* In contact with the liquid



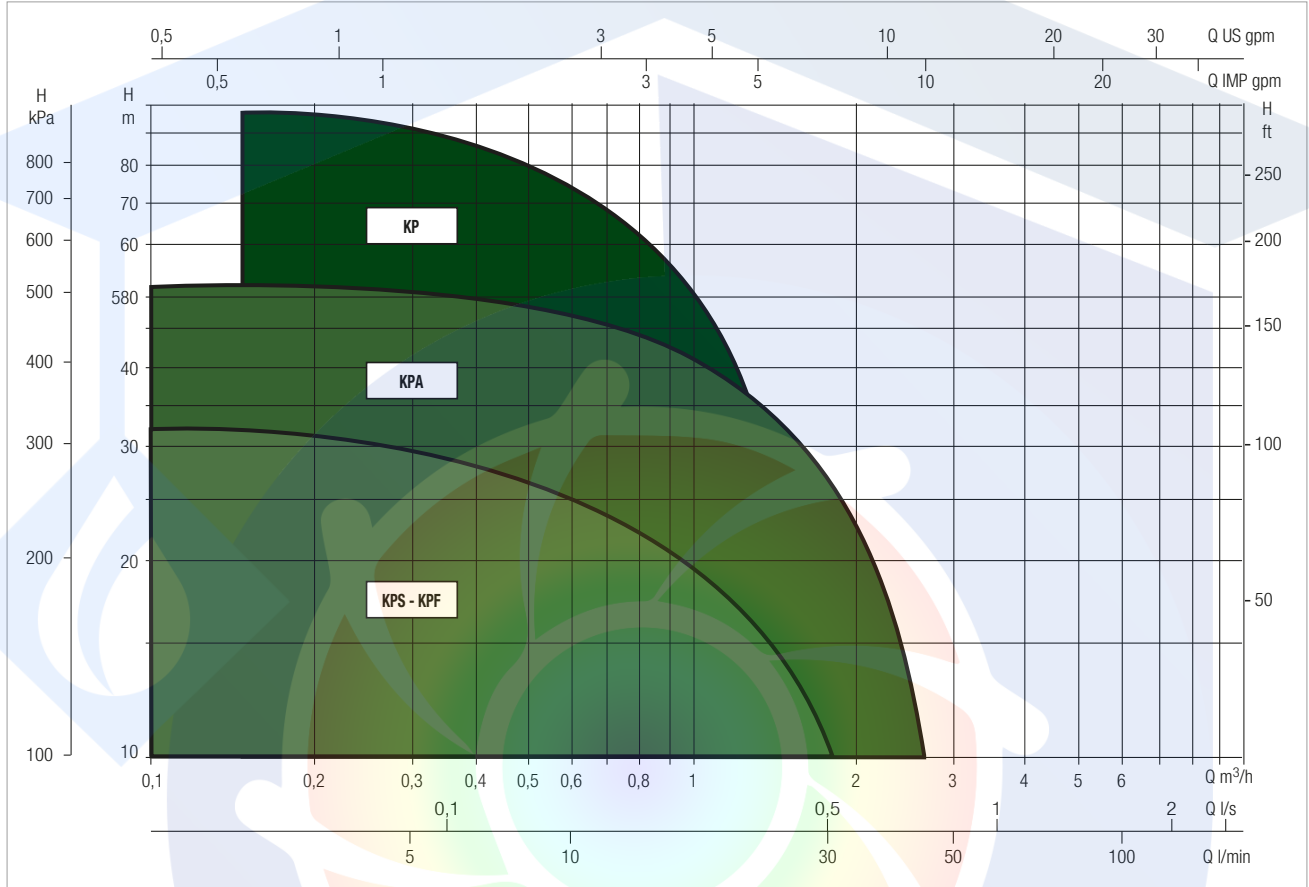
KPA - KPS / KPF - KP RANGE

PERIPHERAL ELECTRIC PUMPS

PERFORMANCE RANGE

The performance curves are based on kinematic viscosity values = 1 mm²/s and density equal to 1000 kg/m³. Curve tolerance according to ISO 9906.

GRAPHIC SELECTION TABLE



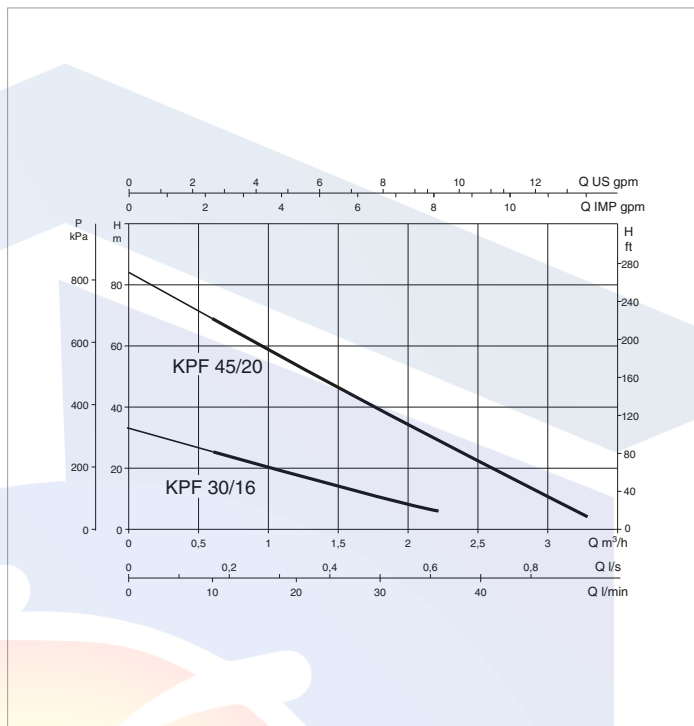
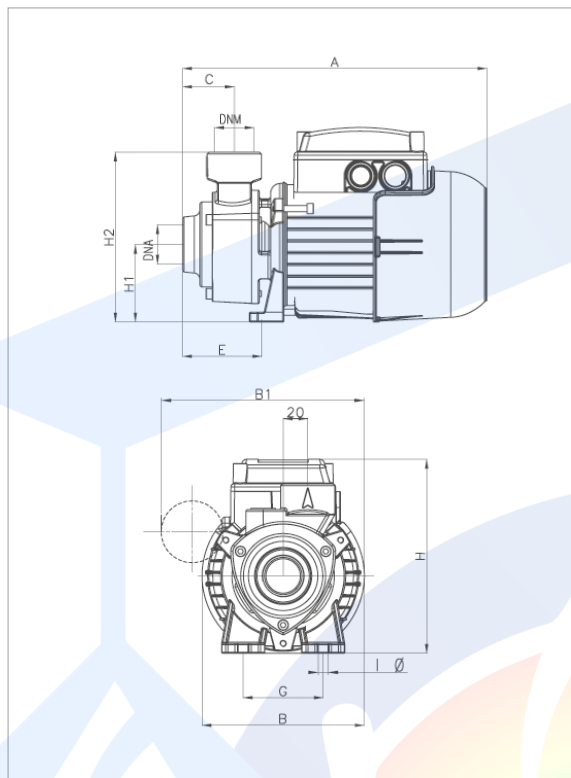
SELECTION TABLE

MODEL	Q=	0	0.3	0.6	0.9	1.2	1.8	2.4
	m ³ /h	0	5	10	15	20	30	40
	Q=							
	l/min							
KPF 30/16 M	H (m)	32.5	31	25	22	17.5	10	
KPF 30/16 T		32.5	31	25	22	17.5	10	
KPS 30/16 M		32.5	31	25	22	17.5	10	
KPS 30/16 T		32.5	31	25	22	17.5	10	
KP 38/18 M		54	50	46	41	36	27.5	17.5
KP 38/18 T		54	50	46	41	36	27.5	17.5
KPF 45/20 M		84	76	68	62	56	38	24
KPF 45/20 T		84	76	68	62	56	38	24

KPF - PERIPHERAL ELECTRIC PUMPS FOR THE SUPPLY OF WATER IN DOMESTIC ENVIRONMENTS

Pumped liquid temperature range: from 0 °C to +35 °C for domestic use. From -10 °C to +50°C for other uses.

Maximum ambient temperature: +40°C



The performance curves are based on kinematic viscosity values = 1 mm²/s and density equal to 1000 kg/m³. Curve tolerance according to ISO 9906.

MODEL	POWER INPUT 50 Hz	P1 MAX kW	ELECTRICAL DATA		I _n A	CAPACITOR	
			P2 NOMINAL			μF	Vc
			kW	HP			
KPF 30/16 M	1 x 230V ~	0.53	0.37	0.5	2.37	8	450
KPF 30/16 T	3 x 230 - 400V ~	0.47	0.37	0.5	1.45 - 0.82	-	-
KPF 45/20 M	1 x 230V ~	1.5	1	1.34	5.9	25	450
KPF 45/20 T	3 x 230 - 400V ~	1.4	1	1.34	-	-	-

MODEL	A	B	B1	C	E	F	G	I Ø	H	H1	H2	DNA	DNM	PACKING DIMENSIONS			VOLUME (m ³)	WEIGHT kg
														L/A	L/B	H		
KPF 30/16	247	132	165	42	64	-	65	8	158	63	138	1" G	1" G	262	140	180	0.0083	5.3
KPF 45/20	315	155	-	55	95	-	112	7	188	78	163	1" G	1" G	325	165	198	0.014	12

EDUPUMP.IR



EDUPUMP
WWW.EDUPUMP.IR

اولین و بزرگترین

سایت تخصصی سیستم‌های پمپاژ
با امکان محاسبه آنلاین و انتخاب پمپ

تولید بوستر پمپ آتش نشانی

در کلاس‌های S3 - S2 - S1
مورد تایید سازمان آتش نشانی تهران



اولین و بزرگترین مرجع انتخاب آنلاین سیستم‌های پمپاژ

انتخاب آنلاین انواع بوستر پمپ

انتخاب آنلاین انواع پمپ

ارائه مطالب تخصصی

اولین سایت مرجع

انتخاب آنلاین پمپ

در حوزه‌های:

ایمنی و آتش نشانی
آب و فاضلاب
صنایع غذایی
استخر
صنعت
معدن



تولید بوستر پمپ

آبرسانی دور متغیر

بدون محدودیت برند



آموزش

تهویه و تخلیه دود
سیستم‌های پمپاژ
ایمنی معماری
اطفاء حریق
اعلام حریق

مشاوره - طراحی - اجراء

تاسیسات مکانیکی (موتورخانه - استخر)
تهویه و تخلیه دود
سیستم‌های پمپاژ
ایمنی معماری
اعلام حریق
اطفاء حریق

تهران، سعدی شمالی، خیابان مرادی نور، پلاک ۳۱

تلفن: ۰۲۱-۷۷۶۸۶۹۶۶ فکس: ۰۲۱-۷۷۶۷۸۶۵۹

EDUPUMP.IR

WWW.EDUPUMP.IR